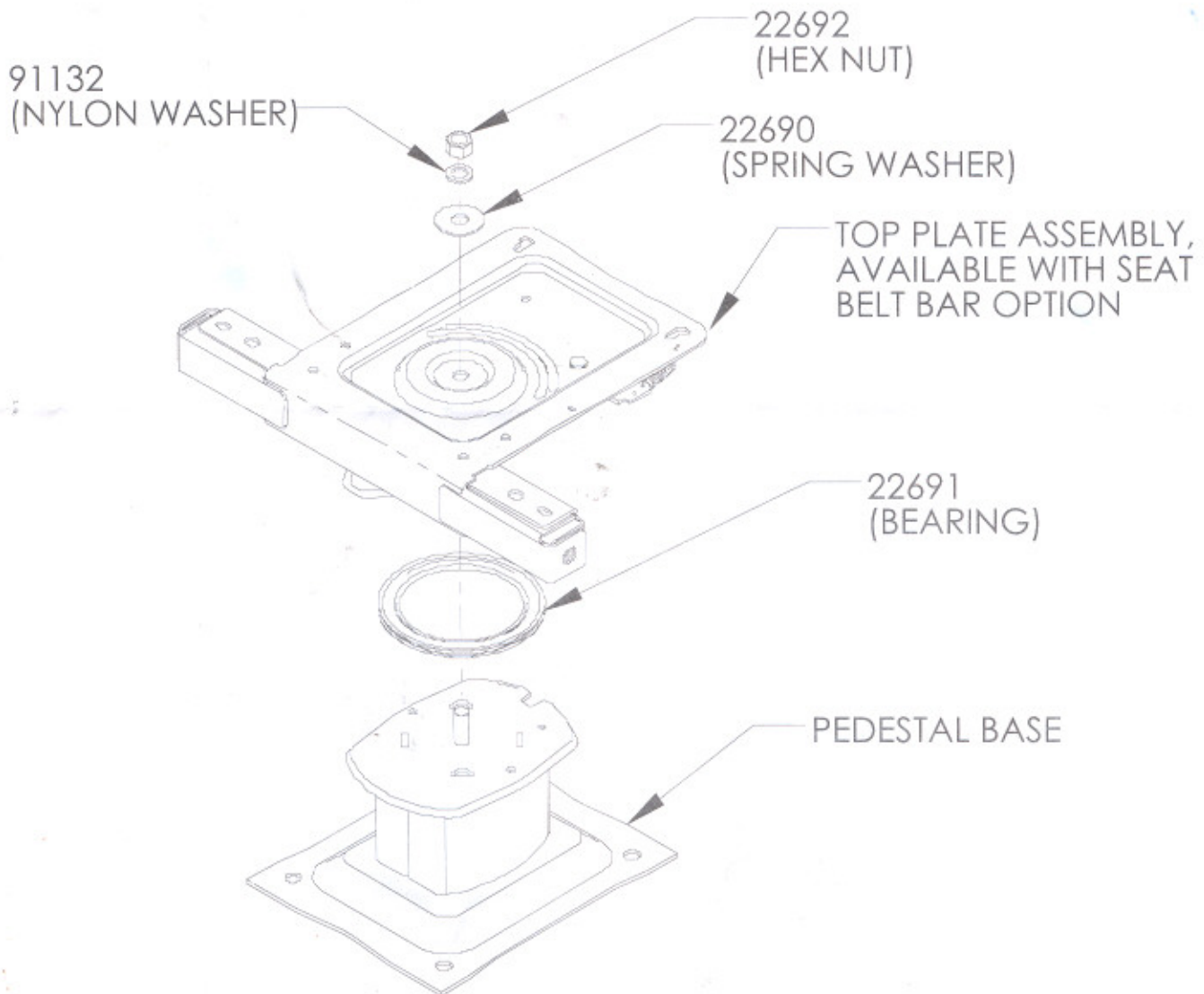


PEDESTAL ASSEMBLY INSTRUCTIONS



1. Place bearing, with seam down, on the pedestal base.
2. Position the top plate assembly, rotated 90° from the locked position, on the base and install the spring washer (dome up), nylon washer, and special lock nut.
3. Tighten nut 1 1/2 turns after it contacts the washers.
NOTE: Do not over tighten as bearing can be damaged.
4. Rotate the top plate to the locked position.



Flexsteel[®]
Excellence in Vehicle Seating

P.O. Box 877
Dubuque, IA 52004-0877
Phone: 563-556-7734
Fax: 563-583-2712

P.O. Box 129
New Paris, IN 46553-0129
Phone: 219-831-4050
Fax: 219-831-3248

P.O. Box 4607
Riverside, CA 92514-4607
Phone: 951-354-2440
Fax: 951-785-5977